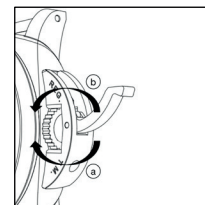
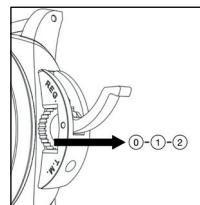
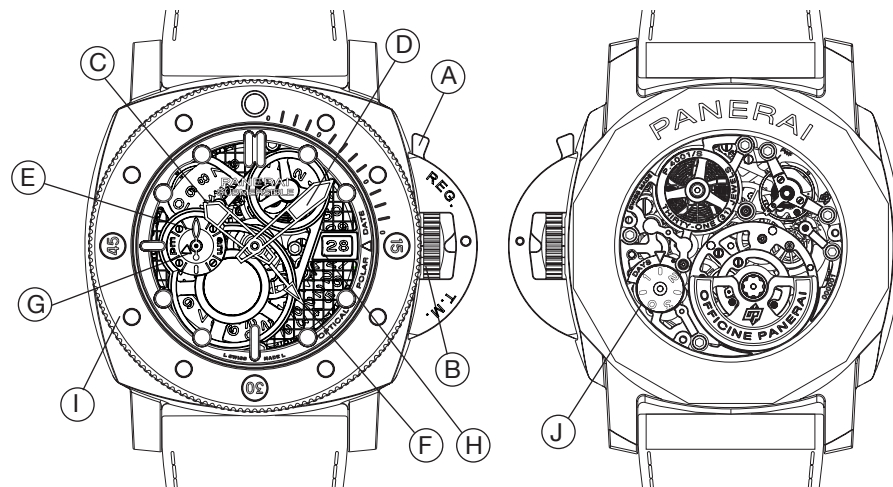


PANERAI

Istruzioni/Instructions

PANERAI



**(A) LEVER (B) WINDING CROWN (C) HOURS (D) MINUTES (E) SMALL SECONDS (F) SECOND TIME ZONE
(G) 24H INDICATOR (H) POLARIZED DATE (I) ROTATING BEZEL (J) POWER RESERVE INDICATOR**

PICTURES SHOWN ARE FOR ILLUSTRATION PURPOSE ONLY. ACTUAL PRODUCT MAY VARY.

INSTRUCTIONS FOR USE

WINDING THE WATCH

Your watch has an automatic mechanical movement with a 3-day power reserve. If the watch has stopped running, it is recommended that it be rewound with a few clockwise turns **(a)** of the winding crown **(B)** in the initial position **(position 0)** after raising the lever **(A)** of the crown cap protecting the winding crown.

SETTING THE TIME

1. Raise the lever **(A)** of the crown cap and pull out the winding crown **(B)** to the second click **(position 2)** to set the correct time.
2. Ensure that the local time hour hand **(C)** is overlapping the second time zone hand **(F)**. If this is not the case, return the winding crown **(B)** to the first click **(position 1)**. In this position the local time hour hand **(C)** moves forwards or backwards in steps of one hour. Make the local time hour hand **(C)** coincides with that of the second time zone **(F)**. Then return the winding crown **(B)** to the second click **(position 2)** to set the correct time.
3. Based on the current local time, verify that the hand **(G)** indicates the correct time period (AM or PM). If it is not in the correct period, move the local time hour hand **(C)** until the hand **(G)** is in on the correct side (AM or PM).
4. Push back the winding crown **(B)** to the initial position **(position 0)** and close the lever **(A)** of the crown cap.

Note: For a rapid change of the time, pull out the winding crown **(B)** to the first click **(position 1)**. In this position, the hour hand **(C)** moves forwards or backwards in steps of one hour without moving the minute hand **(D)**.

THE SECONDS RESET DEVICE

The small continuous seconds dial **(E)** is located at 9 o'clock. When the winding crown **(B)** is pulled out to the second click **(position 2)**, the small seconds hand immediately returns to zero. The seconds reset device is an extremely accurate way of synchronising the watch with the reference time signal.

SETTING THE DATE

The watch has a gradual date change mechanism, a process which takes about 3 hours to complete: from 10 p.m. to 1.00 a.m., with a margin of ± 30 minutes. This particular method of changing the date is inspired by the mechanical tradition of Swiss watchmaking, and allows the date to be changed in both directions, moving it either forwards or backwards.

To set the date indicated, proceed as follows:

1. Raise the lever **(A)** of the crown cap and pull out the winding crown **(B)** to the first click (position 1). Turn it clockwise or anticlockwise moving the hour hand **(C)** forward until the correct date appears in the date window located at 3 o'clock (H). If the date changes when the hour hand **(C)** goes past 12, 12 corresponds to midnight, otherwise, it corresponds to midday.
2. Return the winding crown **(B)** to the initial position (position 0) and close the lever **(A)** of the crown cap.

Note: your Panerai watch features the rapid change of time that allows to move the hour hand **(C)** forwards or backwards in steps of one hour and to change the date in both directions, moving it either forwards or backwards.

THE GMT FUNCTION

The GMT (Greenwich Mean Time) system, also known as universal time and adopted throughout the world, divides the terrestrial globe into 24 one-hour sections (time zones), each equivalent to 15° of longitude. The Greenwich meridian was taken as the fundamental reference meridian for the localisation of time zones by the international conferences held in Rome in 1883 and in Washington in 1884.

Starting from meridian zero (or Greenwich meridian), 24 time zones have been defined, from 0 to +12 towards the east, and from 0 to -12 towards the west. The zero meridian has a very important function for sailors: the time at Greenwich is the reference for the calculations which enable the longitude at sea to be determined, and thus the establishment of the ship's exact position. The GMT function enables the local time and the time in another country (home time) to be read at the same time.

SETTING THE SECOND TIME ZONE (GMT FUNCTION)

1. Raise the lever **(A)** of the crown cap and pull out the winding crown **(B)** to the first click **(position 1)**. In this position the local time hour hand **(C)** moves forwards or backwards in steps of one hour without moving the minutes hand **(D)**.
2. Set the local time required. The local time hour hand **(C)** should indicate the current location time.
3. Push back the winding crown **(B)** to the initial position (position 0) and close the lever **(A)** of the crown cap.

The hand of the second time zone **(F)** will indicate the home time (country of origin). This hand moves at the same rate as the local time hour hand **(C)**, carrying out a complete rotation in 12 hours. On the small dial at 3 o'clock, the hand **(G)** displays the GMT time (home time) to be able to know whether it is in the morning (AM) or afternoon/evening (PM).

CALCULATION OF IMMERSION TIME

During diving activities, the immersion time can be calculated thanks to the unidirectional rotating bezel **(I)**. At the start of the dive, turn the bezel **(I)** anticlockwise until the luminous reference dot is aligned with the minutes hand **(D)**. The immersion time can be read using the minutes hand **(D)** and the minutes shown on the bezel **(I)**. It is recommended to expose your Panerai watch to the light to ensure visibility of the dial, hands and the dot on the bezel.

Note: Confirm that your watch is running by verifying the movement of the seconds hand to guarantee proper operation during underwater activities.

ELEMENTARY RULE FOR DIVING

Please consider essential instructions, international standards and procedures as well as local recommendations and laws regarding any underwater activities to ensure your safety. All diving activities must be preceded by taking part in a course at an accredited diving school and obtaining a recognised diving certificate.

PANERAI

©2024 Officine Panerai AG

Officine Panerai Marketing & Comunicazione
Viale Monza, 259 - 20126 Milano - Italy
www.panerai.com

panerai.com